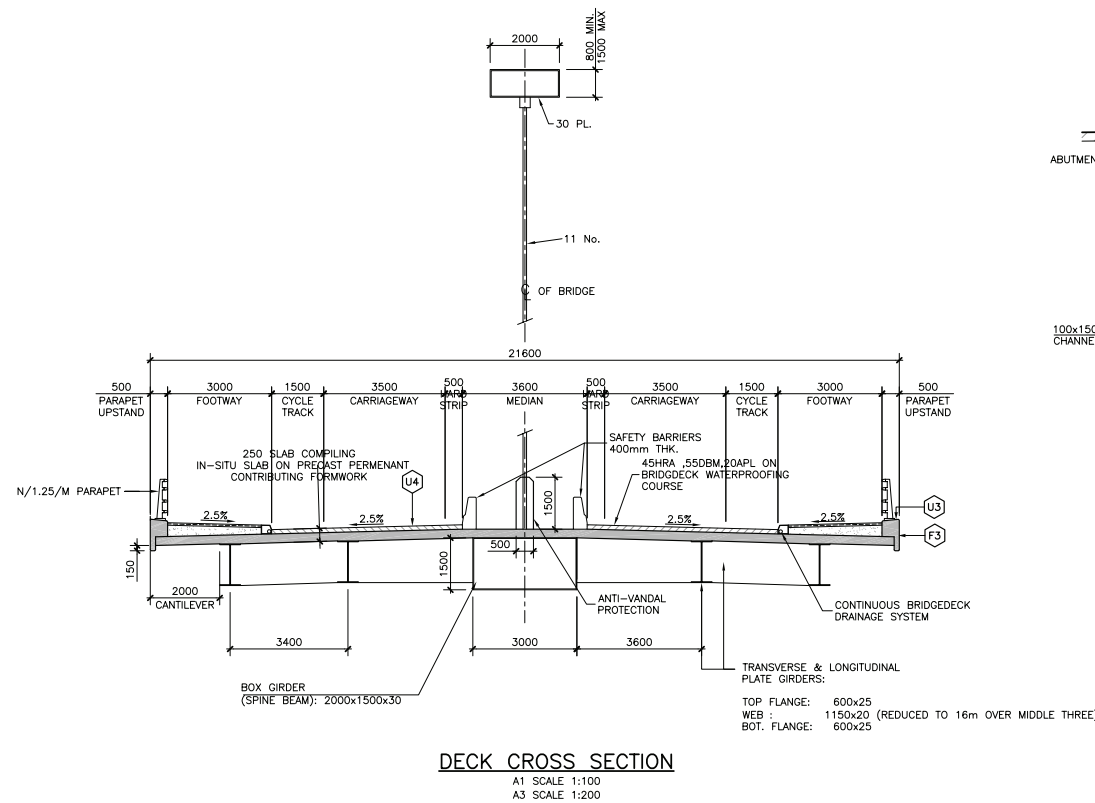
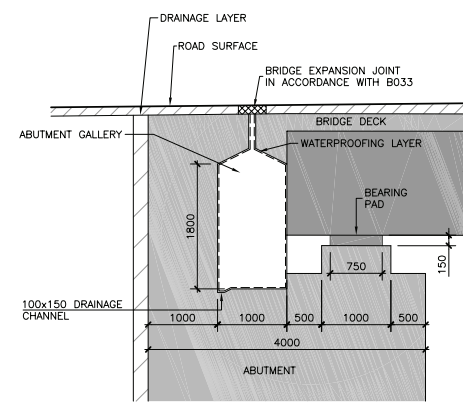


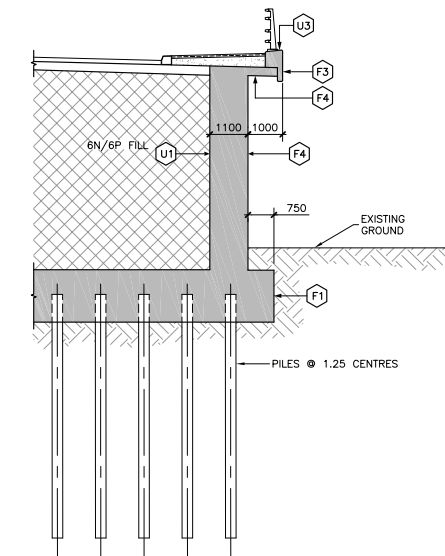
ELEVATION
A1 SCALE 1:250
A3 SCALE 1:500



DECK CROSS SECTION
A1 SCALE 1:100
A3 SCALE 1:200






JOINT DETAIL A
A1 SCALE 1:50
A3 SCALE 1:100



SECTION THROUGH WINGWALL
A1 SCALE 1:100
A3 SCALE 1:200

NOTES

1. ALL CO-ORDINATES ARE TO NATIONAL GRID.
 2. ALL LEVELS ARE TO MALIN HEAD.
- F- DENOTES - CLASS OF FORMED CONCRETE FINISH
- U- DENOTES - CLASS OF UNFORMED CONCRETE FINISH

 NATIONAL DEVELOPMENT PLAN	 SLIGO BOROUGH COUNCIL CITY HALL SLIGO TELEPHONE: 071-9142141, 9142142 FAX: 071-9141056 E-MAIL: tclerk@sligocorp.ie	<table border="1" style="width: 100%; border-collapse: collapse;"> <thead> <tr> <th>No.</th> <th>Revision</th> <th>Date</th> <th>By</th> <th>Chk'd</th> <th>App'd</th> </tr> </thead> <tbody> <tr> <td> </td> <td>Stage</td> <td> </td> <td> </td> <td> </td> <td> </td> </tr> <tr> <td> </td> <td> </td> <td> </td> <td> </td> <td> </td> <td> </td> </tr> <tr> <td> </td> <td> </td> <td> </td> <td> </td> <td> </td> <td> </td> </tr> <tr> <td> </td> <td> </td> <td> </td> <td> </td> <td> </td> <td> </td> </tr> <tr> <td> </td> <td> </td> <td> </td> <td> </td> <td> </td> <td> </td> </tr> <tr> <td> </td> <td> </td> <td> </td> <td> </td> <td> </td> <td> </td> </tr> <tr> <td> </td> <td> </td> <td> </td> <td> </td> <td> </td> <td> </td> </tr> <tr> <td> </td> <td> </td> <td> </td> <td> </td> <td> </td> <td> </td> </tr> <tr> <td> </td> <td> </td> <td> </td> <td> </td> <td> </td> <td> </td> </tr> </tbody> </table>	No.	Revision	Date	By	Chk'd	App'd		Stage																																																					 Roughan & O'Donovan Consulting Engineers Civil - Structural - Transportation - Environmental Arena House, Arena Road, Sandyford, Dublin 18, Tel : +353 1 294 0800 Fax : +353 1 294 0820 e-mail : info@rod.ie www.roughanodonovan.com	Project Title: EASTERN GARVOGE BRIDGE Drawing Title: GENERAL ARRANGEMENT SHEET 2 OF 2 Drawn: AHe Job No: 06154 Drawing No: 06154-GAR-003B Rev: - Scale: (A1) AS SHOWN Date: SEPT '07
No.	Revision	Date	By	Chk'd	App'd																																																											
	Stage																																																															
Ordnance Survey Ireland Licence No EN 0006507 © Ordnance Survey Ireland and Government of Ireland.		Nov 02, 2007 - 2:31pm Drawing Location: L:\accaddvg\2006\06154\Drawings\Structure\1, PDR\06154-GAR-003B.dwg		Designed: RMJ Checked: EC Approved: J'OD Status: APPROVAL		DO NOT SCALE USE FIGURED DIMENSIONS ONLY																																																										